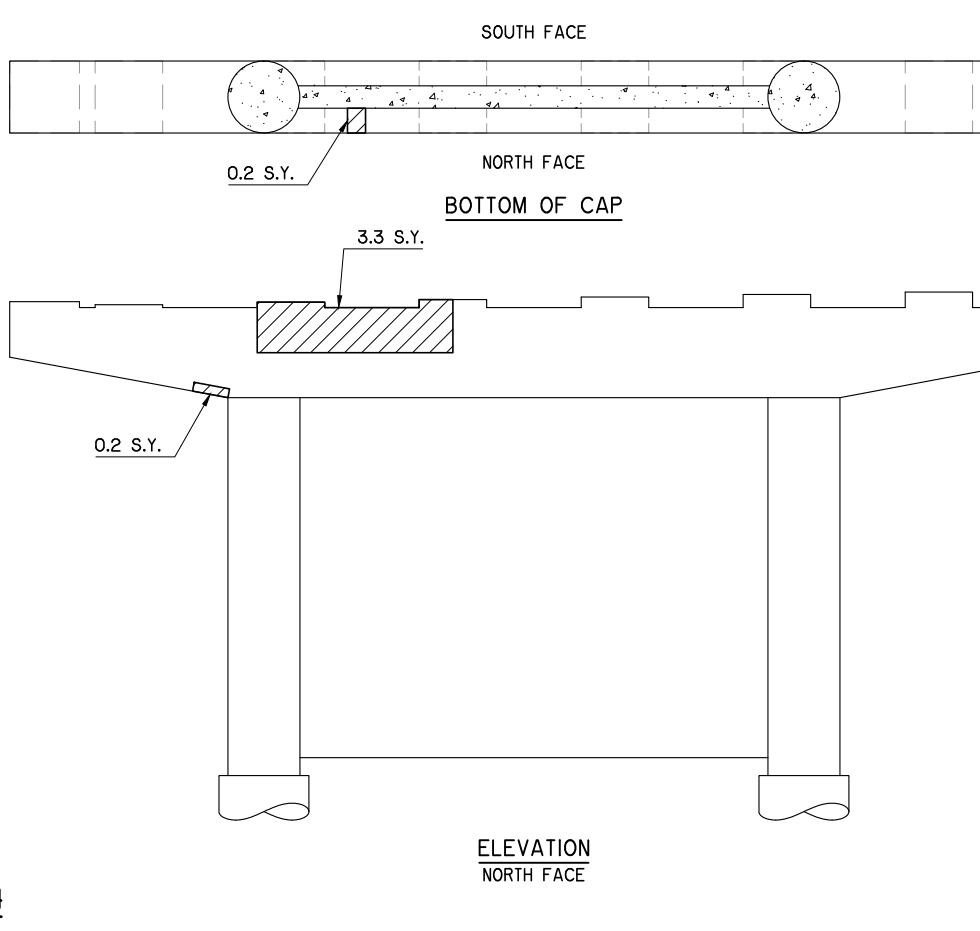
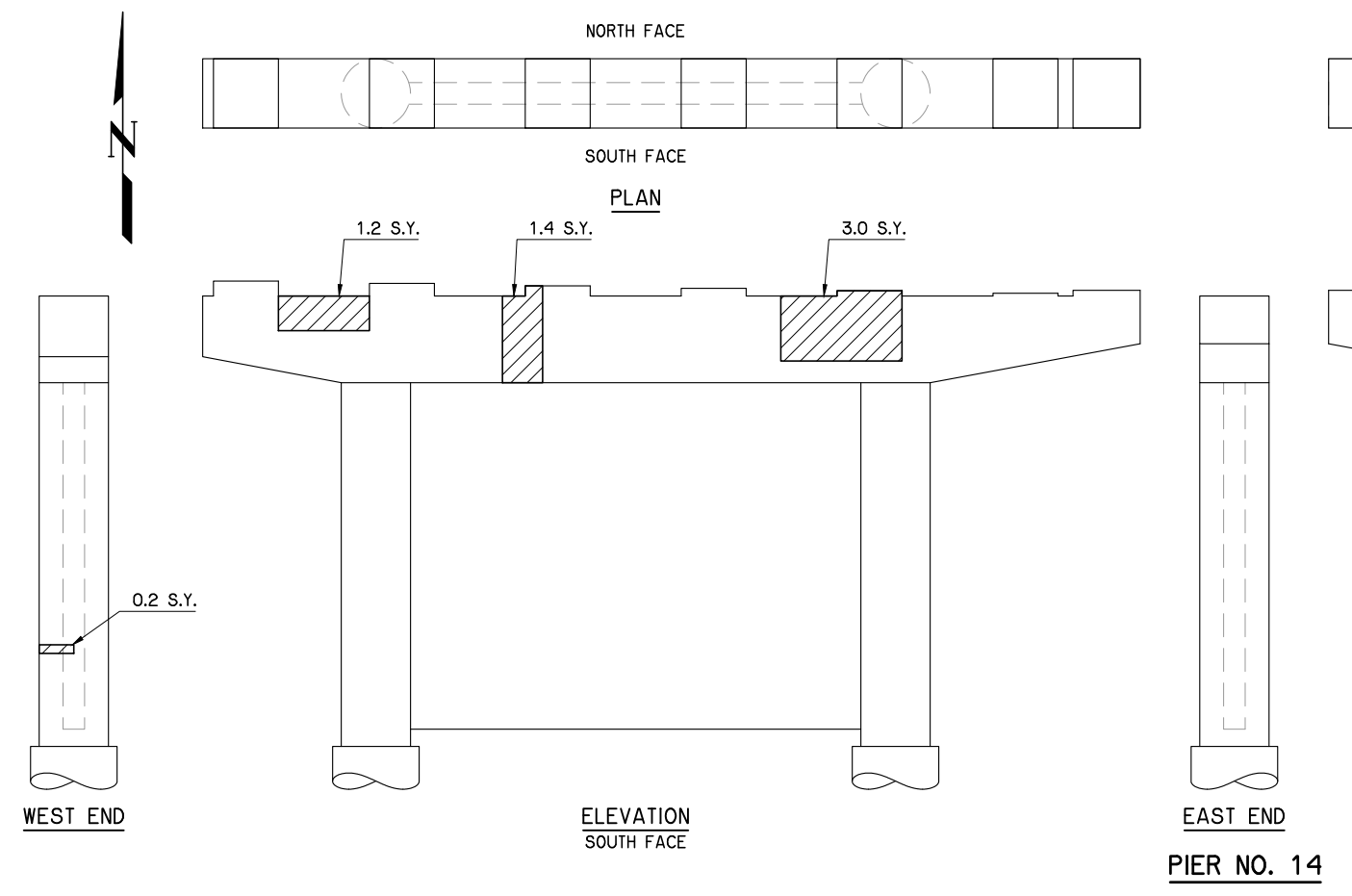
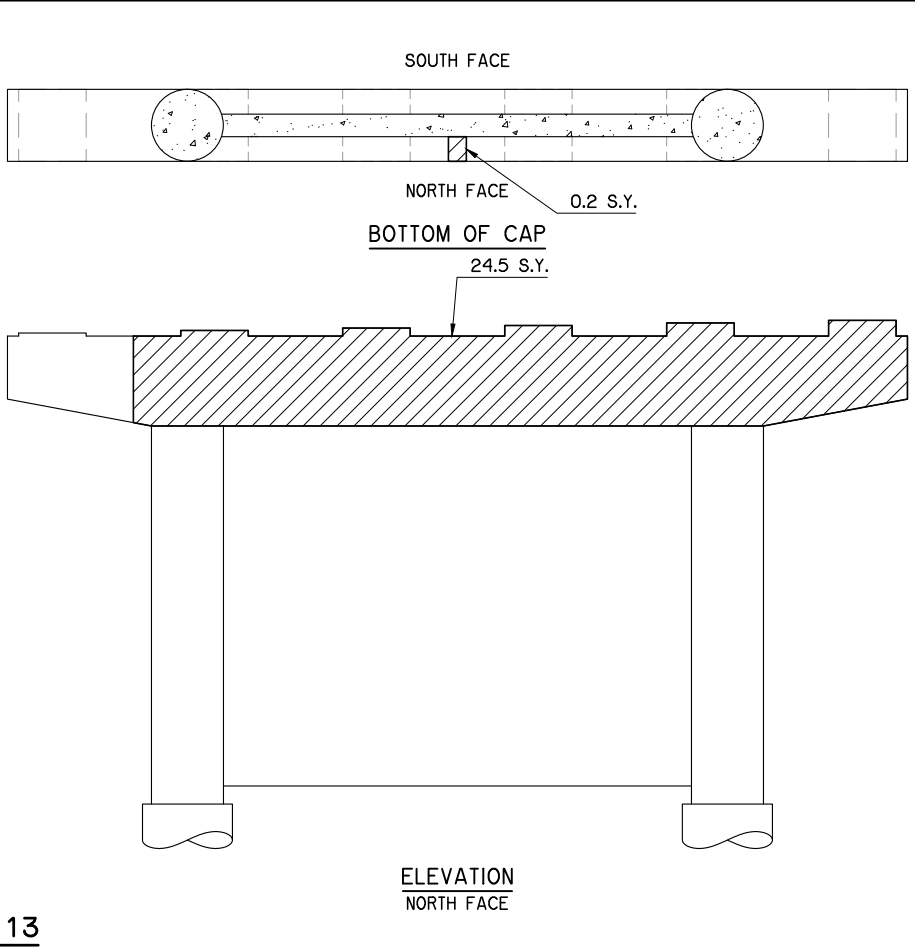
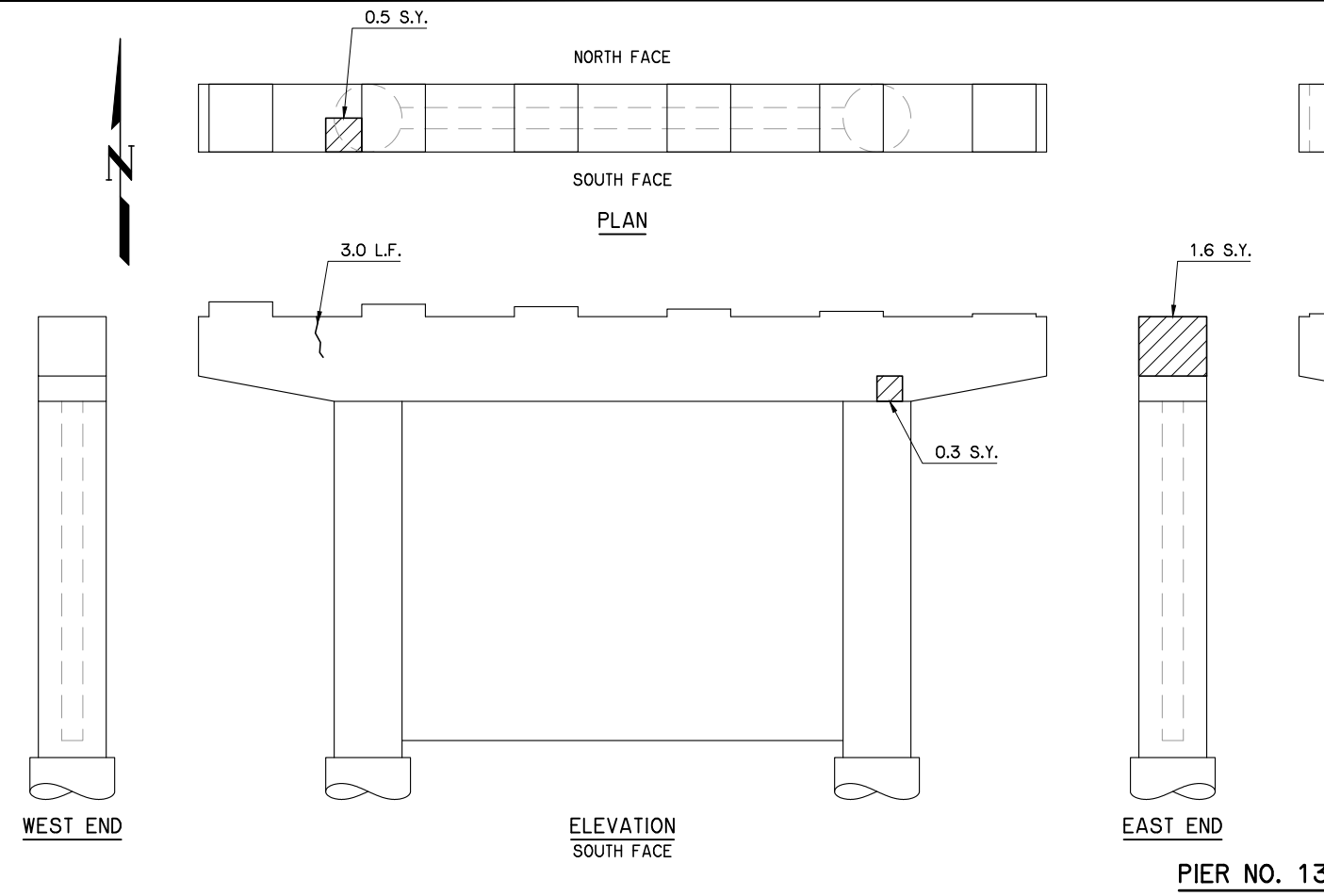


REVISIONS		
REV. NO.	DESCRIPTION	DATE



LEGEND

	PREPARATION OF CRACKS (ABOVE WATER)
	REPAIR BRIDGE ITEMS

SH 51 NB OVER ARKANSAS RIVER	TULSA COUNTY	Design	ADT
PIER REPAIR DETAILS PIER NO. 13 AND NO. 14		Detail	FEZ
		Check	ADT
STATE OF OKLAHOMA		WHITE ENGINEERING ASSOCIATES	
DEPARTMENT OF TRANSPORTATION		SHEET NO. 19	
JOB PIECE NO. 31358(04)			

I:\Active\1626\Drawings\19 Pier 13 & 14.dwg, 6/12/2017 11:12:21 AM, Fred